

POSITION THE FREE STANDING BASE PLATES

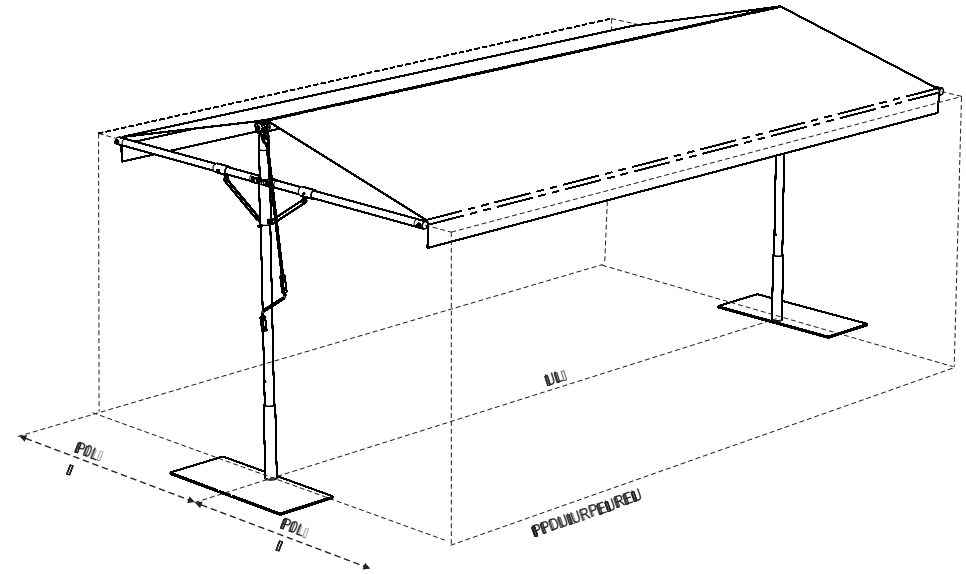
Note: It is recommended to have 2 people assemble the rectangular metal bases. Remove the stainless steel tubes from the box. Observe how the nylon washers are fitted into the stainless steel tubes. Use the allen key to remove the 2 x M10 x 35 countersunk screws from the bottom end of the tubes.

Use the packaging as a work surface to protect the bases during assembly. Tilt one plate vertically onto its side and hold it in place.

Attach one of the Papillon tubes to the base plate. NOTE: The two center holes on the underside of the base are countersunk so the screws will fit flush when tightened. Insert one screw through the bottom of the base and into the corresponding hole in the tube. Do not tighten until the other screw is in place.

Place the second screw through the bottom of the base and into the remaining hole in the tube. Tighten both screws firmly with the allen key.

Repeat the process for the second rectangular metal base. Loosen the fastening wheels from the tubes. Insert the umbrella pole in the tubes. IMPORTANT: Tighten the fastening wheels until the poles cannot be lifted out of the tubes.



STEP 1

NOTE: It is recommended to have 2 people assemble the rectangular metal bases. Remove the stainless steel tubes from the box. Observe how the nylon washers are fitted into the stainless steel tubes. Use the allen key to remove the 2 x M10 x 35 countersunk screws from the bottom end of the tubes.

STEP 2

Use the packaging as a work surface to protect the bases during assembly. Tilt one plate vertically onto its side and hold it in place.

STEP 3

Attach one of the Papillon tubes to the base plate. NOTE: The two center holes on the underside of the base are countersunk so the screws will fit flush when tightened. Insert one screw through the bottom of the base and into the corresponding hole in the tube. Do not tighten until the other screw is in place.

STEP 4

Place the second screw through the bottom of the base and into the remaining hole in the tube.

STEP 5

Tighten both screws firmly with the allen key.

STEP 6

Repeat the process for the second rectangular metal base.

STEP 7

Loosen the fastening wheels from the tubes. Insert the umbrella pole in the tubes. IMPORTANT: Tighten the fastening wheels until the poles cannot be lifted out of the tubes.

FIGURE 1

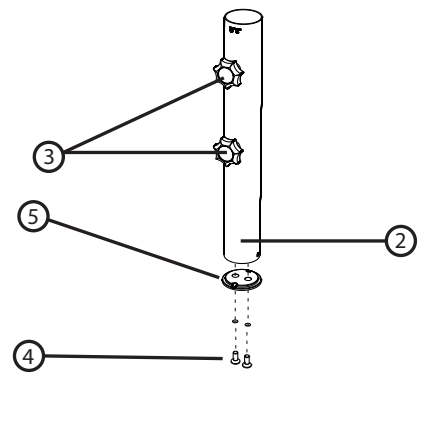
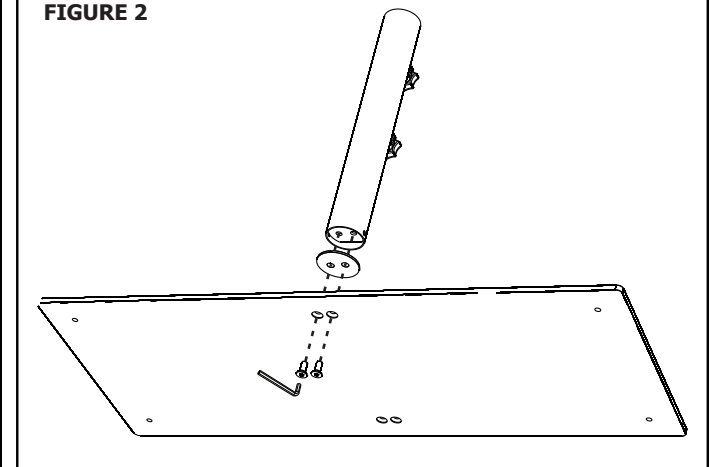


FIGURE 2



For alternative base options please view our website
www.woodlineshade.com