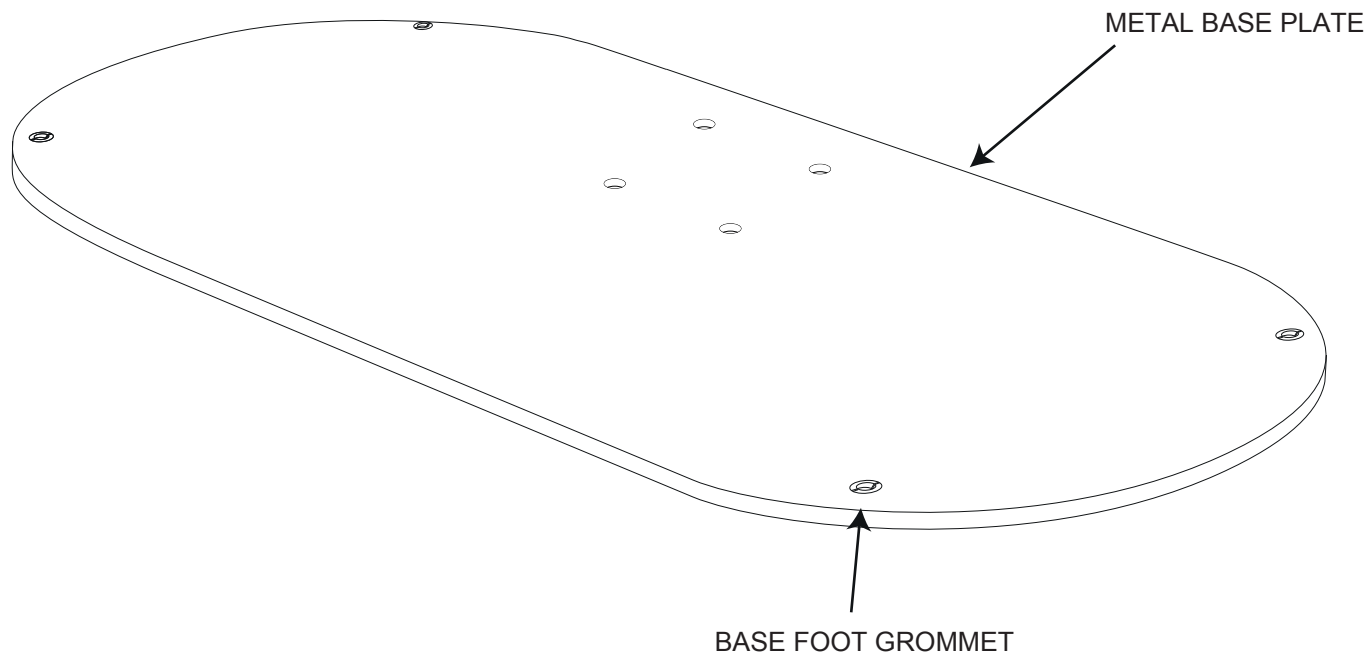
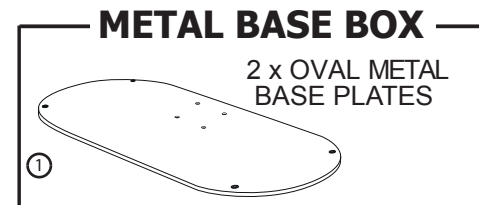


ASSEMBLY INSTRUCTIONS:
SKY SHADE OVAL METAL BASE PLATES
+ POLE TUBES



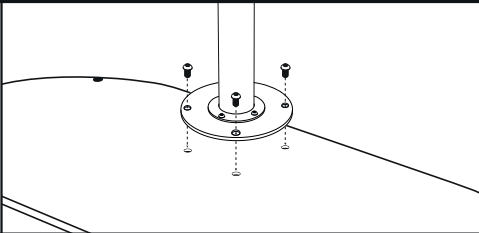
STEP 1

NOTE: It is recommended to have 2 people assemble the SKY oval metal bases.

Remove the stainless steel tubes from the umbrella structure box. Use the packaging as a work surface to protect the bases during assembly.

STEP 2

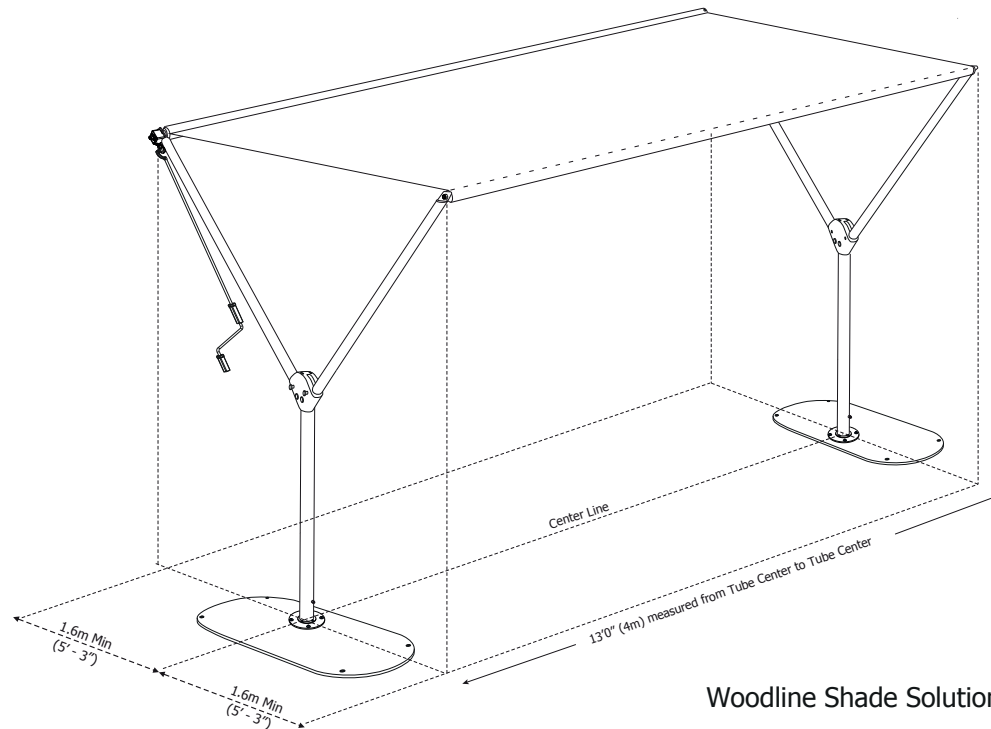
Attach one of the SKY tubes to the base plate ①. Align the 4 holes in the tube base & base plate and insert the button head screws & tighten with the supplied 6mm allen key. Repeat until all 4 screws are in place and firmly tightened. Repeat for second base plate.



STEP 3

If there is sufficient room, it is advisable to position the plates so the majority of the plate is positioned outside of the area covered by the roof structure as shown below. If there is not sufficient room, the base plates may be positioned so that the majority of the plate rests underneath the the roof structure.

- Position the base plates so the stainless steel tubes are aligned and the center to center distance between the tubes exactly matches the length of the roof structure.
- For the 13'0 roof structure the distance from center to center of the stainless steel tubes is exactly 13'0" (4m).
- The center line must be at least 5' 3" (1.6m) away from the nearest obstruction on both sides (in the directions the canopy opens).



STEP 4

Position the base plates with tubes so the the distance between the center of the tubes is exactly 13' (4m). To ensure the base plates are aligned you will need to use the items that came in the Base Alignment Kit. Take one wire with 2 metal tags attached, then screw a plastic foot with thread through the hole in the metal tag and into the base foot grommet in the corner of the top of one oval metal plate, then run the wire diagonally between the two base plates so that the metal tags are secured into the base foot grommets at Point A and B as shown in these illustrations below. Repeat the process with the second wire connected to Point C and D and then adjust the bases so that the two wires are taught, which indicates they are correctly aligned. Each wire is exactly 13' (4m) long.

STEP 5

With the base plates now correctly aligned, using two people position the Roof Structure directly over the poles and lower into position so that the Roof Structure Tubes fit over the Base Pole Tubes. To finish the assembly process use the supplied allen key to tighten the two grub screws that are fitted to the lower portion of the Roof Structure Poles so that they meet against the Base Pole Tubes securely.

