

woodline
shade solutions

nemo
MULTIFUNCTIONAL WATER BASE
ASSEMBLY INSTRUCTIONS



PACKED ITEMS:	
1	1 x Pole Stand
2	3 x Adapter Sleeves (A, B, C)
3	1 x Pole Alignment Insert
4	1 x Filler Cap
5	1 x Hand Wheel
6	3 x M8 Washers + 3 x M8x16 Bolts
7	1 x 5mm or 3/16" Allen Key
8	1 x Water Base Body
9	1 x Assembly Instruction

OPTIONAL EXTRA:	
10	Nylon Roller Kit + 2 x M8 Washers + 2 x M8x16 Bolts

PACKED BY: _____ DATE: _____

www.woodlineshade.com

1) From the bottom of the water base body (8) slide the pole stand (1) in and up until its base sits flush with the water base body underside (8).

2) Insert the 3 M8 washers and bolts (6) into the 3 holes under the pole stand triangular base and tighten using the supplied allen key.

3) Slide the pole alignment insert (3) from the top of the pole tube down inside it until it sits at the base of the tube.

4) Insert the required adapter sleeves (2A, 2B, 2C) into the top of the pole tube, aligning them until the notch is centred to allow the hand wheel hole to line up.

5) Insert the hand wheel (5) into the bolt hole on the side of the pole stand (1), do not tighten until the umbrella pole is positioned in the pole stand, only then should you tighten to ensure the umbrella pole is fixed in place.

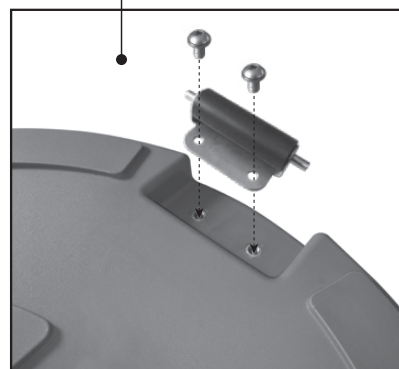
OPTIONAL NYLON ROLLER KIT ASSEMBLY:

1) If you have purchased the option Nylon Roller Kit (10) it should ideally be attached to the water base body before you assemble the pole tube and the fittings. You will find it in a separate bag or box.

2) Turn the water base over and place the nylon roller and bracket into position within the carrying indent with the two threaded holes on either side.

3) Insert the 2 x M8 washers and 2 x M8x16 bolts and tighten them into place.

4) The water base can now be easily repositioned by simply tilting it onto the roller and pushing it into the required place.



Carrying Indent



1"/26mm Adapter Sleeve (2A)

1 1/2"/32mm Adapter Sleeve (2B)

2"/38mm Adapter Sleeve (2C)

Pole Alignment Insert (3)

Filler Cap (4)

Water Base Body (8)

Carrying Indent

Optional Nylon Roller Kit (10)

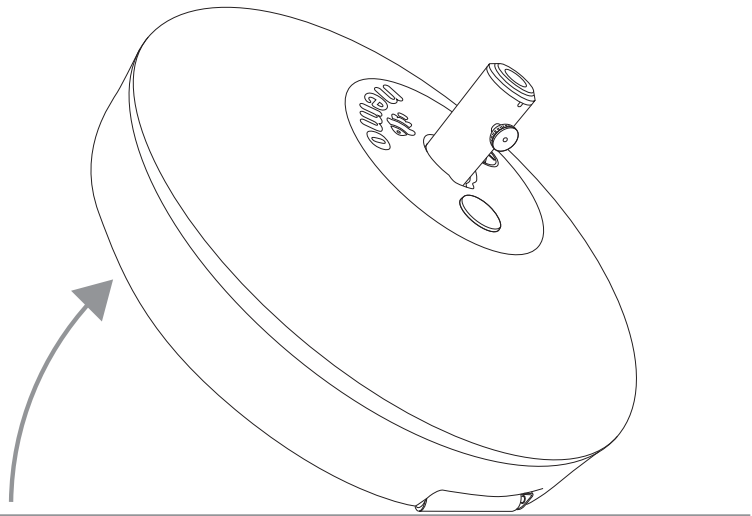
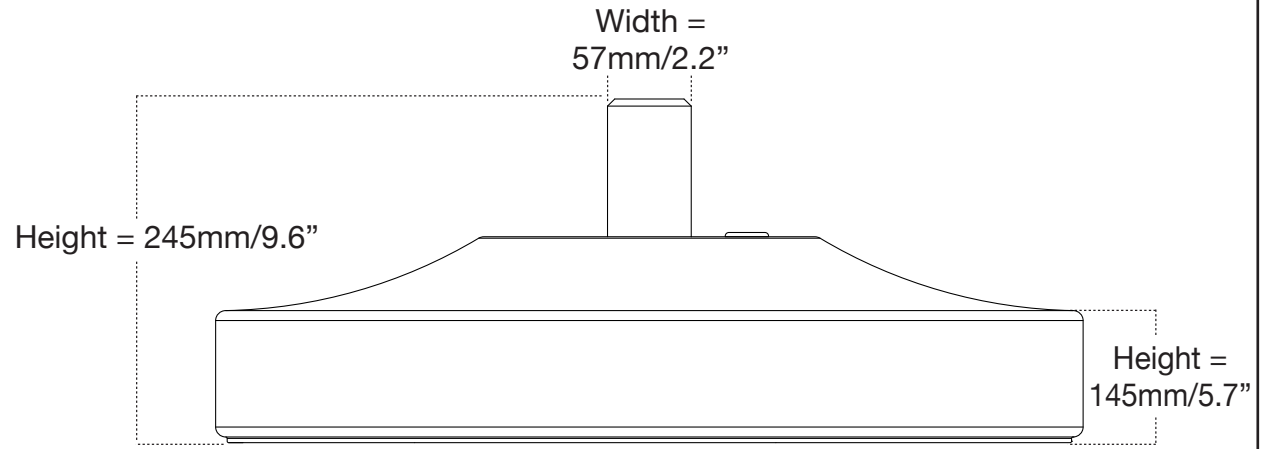
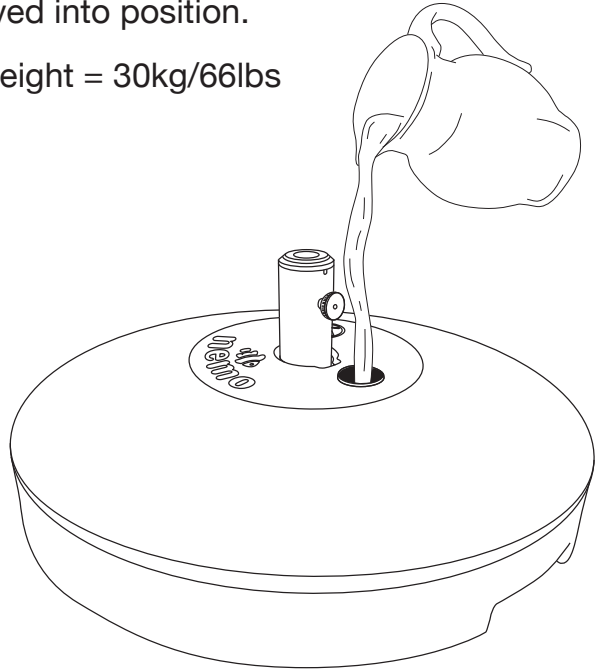
Hand Wheel (5)

Stainless Steel Pole Stand (1)

3 x M8 washers and M8x16 bolts (6)

Note: Only fill the base with water once it is moved into position.

Water filled weight = 30kg/66lbs



To use the Optional Nylon Roller simply tilt the base to 45° and push

