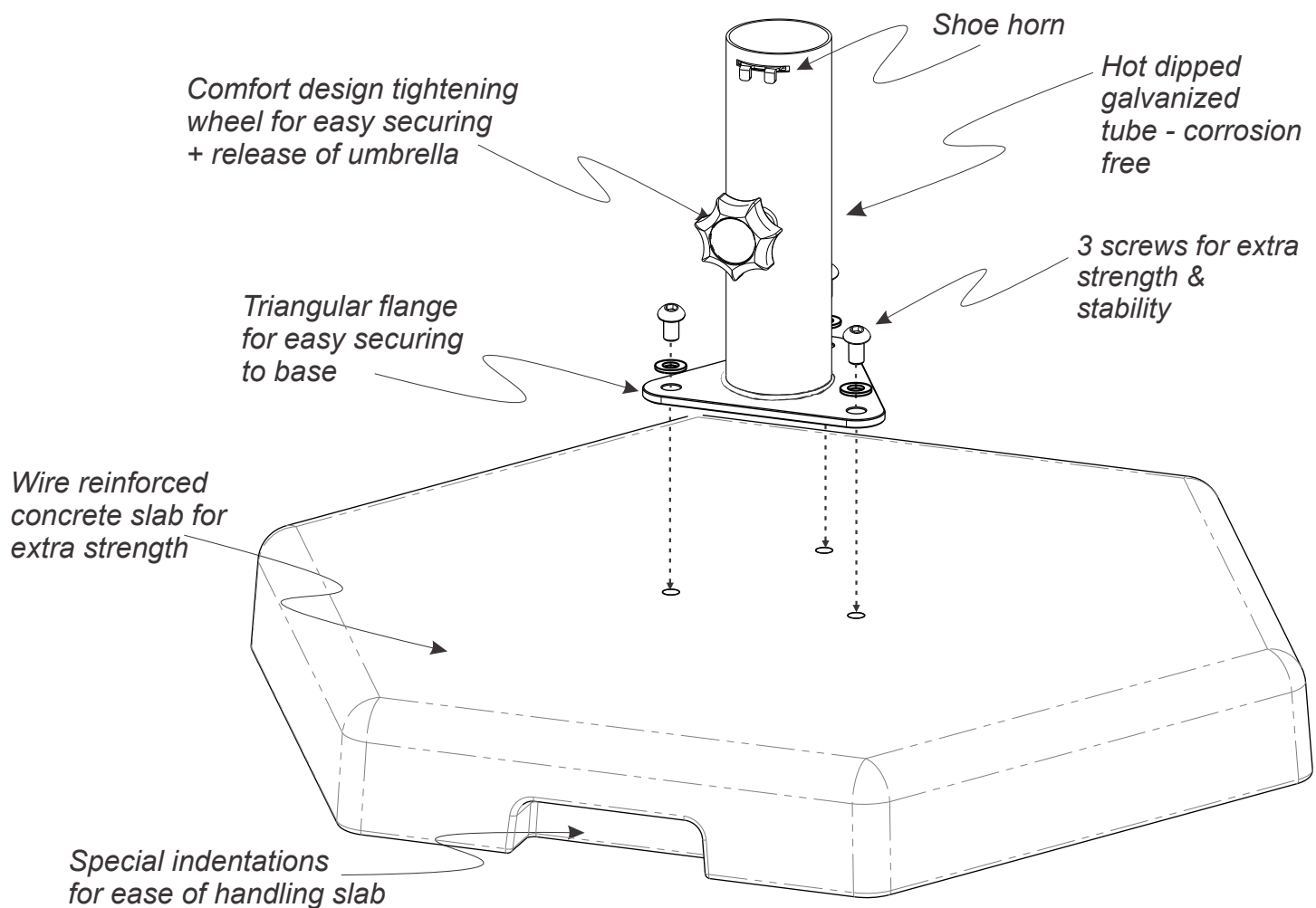


**ASSEMBLY INSTRUCTIONS:**  
66LBS / 30KG CONCRETE BASE AND STAND

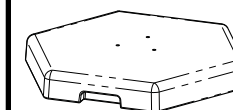
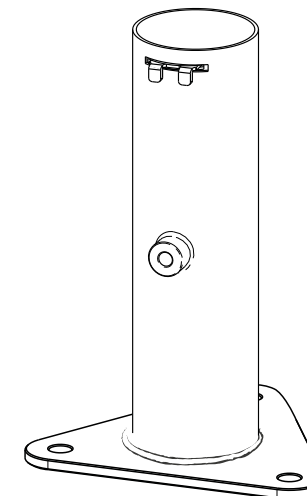


**PARTS LIST**

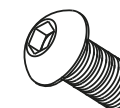


1 x FASTENING WHEEL

1 x HOT DIPPED GALVANIZED METAL STAND



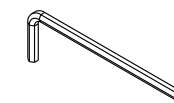
1 x REINFORCED CONCRETE SLAB



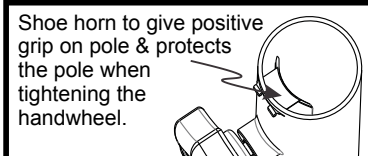
3 x M8 x 16 BUTTON HEAD SCREWS



3 x M8 WASHERS



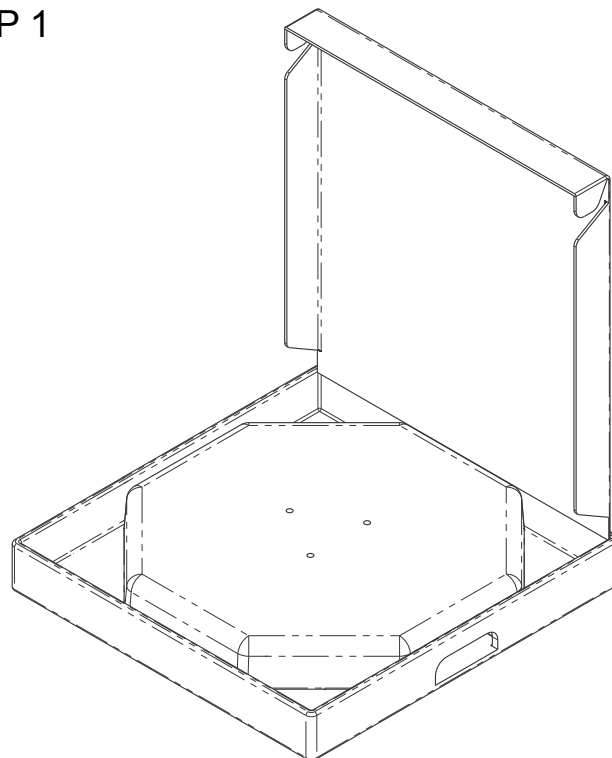
1 x 5mm ALLEN KEY



woodline  
shade solutions

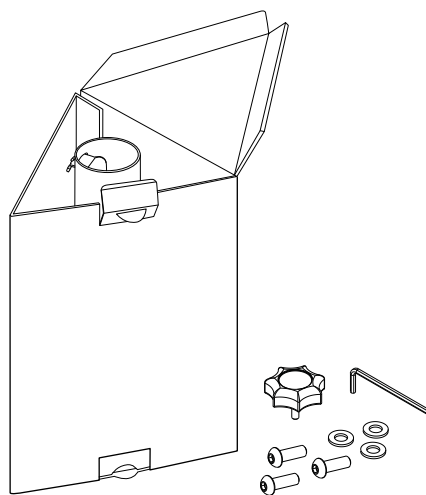
For alternative base options  
please view our website  
[www.woodlineshade.com](http://www.woodlineshade.com)

### STEP 1



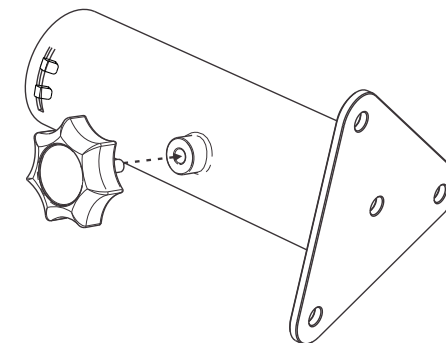
Open the flat square packaging box containing the concrete base.

### STEP 2



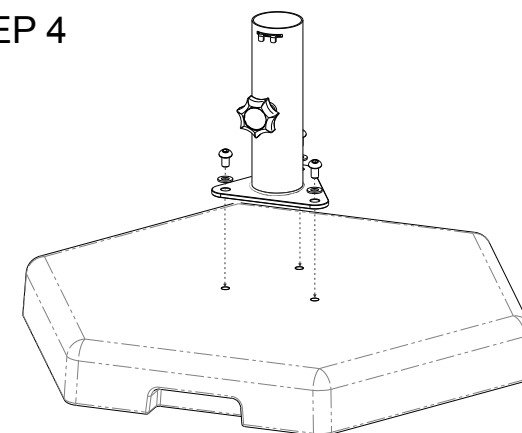
Open triangular box packaging containing the triangular galvanised metal stand, plus the allen key, fastening wheel, 3 x washers and 3 x screws in a ziploc bag.

### STEP 3



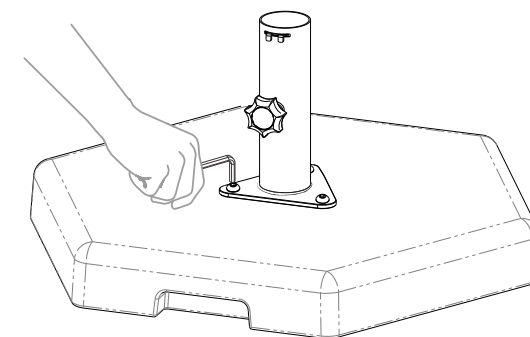
Attach the fastening wheel as illustrated above.

### STEP 4



Secure the 3 x screws, washers and metal stand to base.

### STEP 5



Use supplied allen key to ensure that all 3 screws are fastened tightly.  
NOTE: The fastening wheel will need to be loosened when inserting the umbrella pole into the base.